

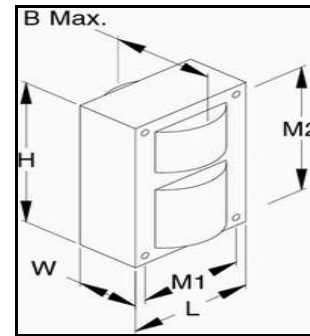
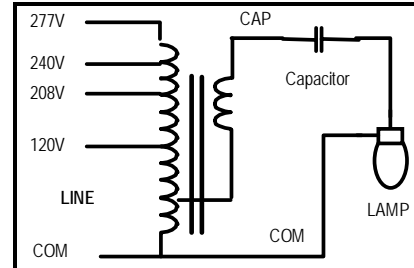


| | |
|-----------|------------------------|
| Catalog # | MH-175A-Q-HP |
| Type: | 175W Metal Halide |
| Voltage: | Quad (120/208/240/277) |

General Information

| | |
|-----------------------------|------------------|
| Lamp Type | 175W MH |
| ANSI Designation | M57, H39 or M107 |
| Line Voltage (V) | 120/208/240/277 |
| Regulation | 10% |
| Frequency (Hz) | 60 |
| Recommended Fuse (A) | 5/3/3/2 |
| Circuit Type | CWA |
| Insulation Class | 180°C |
| Capacitor Value | 10 MF |
| Capacitor Voltage Rating | 400 V |
| Cap. Temp. Rating | 90°C |
| Winding Materials (Pri/Sec) | Cu/Cu |
| Lamp Starter | N/A |
| Agency Certification | RU, cRU |
| Maximum Distance to Lamp | N/A |

Diagrams



Electrical Characteristics

| Line Volt (V) | Power Factor | Line Current (A) | | | Input Power (W) | Open Circuit Voltage (V) | Min Start Temp. | UL Temp. Code |
|---------------|--------------|------------------|------|-------|-----------------|--------------------------|-----------------|---------------|
| | | Operating | Open | Start | | | | |
| 120 | High | 1.90 | 2.09 | 0.72 | 200 | 293 | -40°C | B |
| 208 | High | 1.0 | 1.22 | 0.42 | 200 | 293 | -40°C | B |
| 240 | High | 0.95 | 1.09 | 0.38 | 200 | 293 | -40°C | B |
| 277 | High | 0.80 | 0.93 | 0.33 | 200 | 293 | -40°C | B |

Physical Characteristics

| Overall Dimensions (Inches) | | | | Mounting Holes (Inches) | | | Bracket Dimension (Inches) | | Ballast Net Weight (KG) | Lead Length (Inches) |
|-----------------------------|-------|--------|--------|-------------------------|------|------|----------------------------|-------|-------------------------|----------------------|
| Length | Width | Height | B max. | Diameter | M1 | M2 | Length | Width | | |
| 2.80 | 2.42 | 3.94 | 3.86 | 0.25 | 2.44 | 3.50 | 5.5 | 1.25 | 3.39 | 12-14 |

KEYSTONE TECHNOLOGIES LLC.
 P.O. Box 246, AMBLER, PENNSYLVANIA 19002
 PHONE: 215-283-2600
 FAX: 215-628-4412
 INFO@KEYSTONEBALLAST.COM
 WWW.KEYSTONEBALLAST.COM