

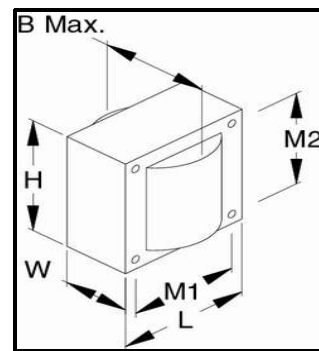
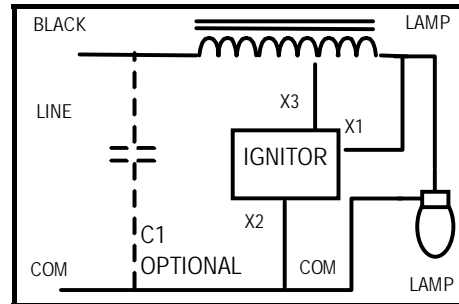


Catalog #	HPS-50R-1
Type:	50W High Pressure Sodium
Voltage:	120V

General Information

Lamp Type	50W HPS
ANSI Designation	S68
Line Voltage (V)	120
Regulation	5%
Frequency (Hz)	60
Recommended Fuse (A)	8/5
Circuit Type	R-NPF/ R-HPF
Insulation Class	180°C
Capacitor Value	20 MF (Optional)
Capacitor Voltage Rating	120 V
Cap. Temp. Rating	90°C
Winding Materials	Cu
Lamp Starter	XG-01
Agency Certification	RU, cRU
Maximum Distance to Lamp	3 FT

Wiring Diagram



Electrical Characteristics

Line Volt (V)	Power Factor	Line Current (A)			Input Power (W)	Open Circuit Voltage (V)	Min Start Temp.	UL Temp. Code
		Operating	Open	Start				
120	Normal	1.18	N/A	1.12	60	120V	-40°C	A
120	High	0.536	0.90	0.51	60	120V	-40°C	A

Physical Characteristics

Overall Dimensions (Inches)				Mounting Holes (Inches)			Bracket Dimension (Inches)		Ballast Net Weight (KG)	Lead Length (Inches)
Length	Width	Height	B max.	Diameter	M1	M2	Length	Width		
2.25	2.64	2.25	1.81	0.213	2.19	1.75	-	-	0.65	12-14

KEYSTONE TECHNOLOGIES LLC.
P.O. Box 246, AMBLER, PENNSYLVANIA 19002
PHONE: 215-283-2600
FAX: 215-628-4412
INFO@KEYSTONEBALLAST.COM
WWW.KEYSTONEBALLAST.COM