

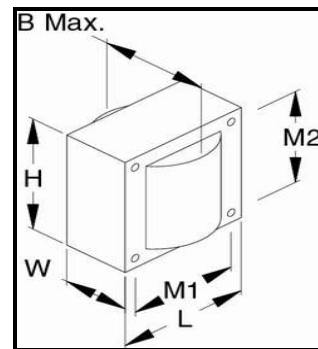
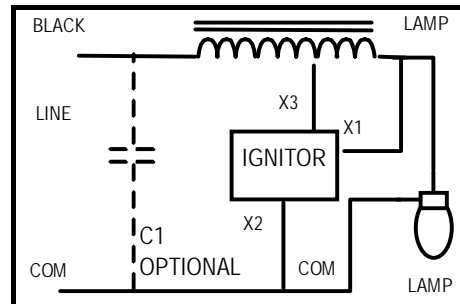


Catalog #	<b>HPS-150R-1</b>
Type:	150W High Pressure Sodium
Voltage:	120V

### General Information

Lamp Type	150W HPS
ANSI Designation	S55
Line Voltage (V)	120
Regulation	5%
Frequency (Hz)	60
Recommended Fuse (A)	15
Circuit Type	Reactor
Insulation Class	180°C
Capacitor Value	55 MF for HPF
Capacitor Voltage Rating	120 V
Cap. Temp. Rating	90°C
Winding Materials (Pri/Sec)	Cu/Cu
Lamp Starter	XG-01
Agency Certification	RU, cRU
Maximum Distance to Lamp	3 FT

### Wiring Diagram



### Electrical Characteristics

Line Volt (V)	Power Factor	Line Current (A)			Input Power (W)	Open Circuit Voltage (V)	Min Start Temp.	UL Temp. Code
		Operating	Open	Start				
120	NPF	3.50	NA	4.50	163	120	-40°C	A

### Physical Characteristics

Overall Dimensions (Inches)				Mounting Holes (Inches)			Bracket Dimension (Inches)		Ballast Net Weight (KG)	Lead Length (Inches)
Length	Width	Height	B max.	Diameter	M1	M2	Length	Width		
2.64	2.25	2.09	3.35	0.203	2.19	1.79	-	-	1.487	12-14

**KEYSTONE TECHNOLOGIES LLC.**  
P.O. Box 246, AMBLER, PENNSYLVANIA 19002  
PHONE: 215-283-2600  
FAX: 215-628-4412  
INFO@KEYSTONEBALLAST.COM  
WWW.KEYSTONEBALLAST.COM