



<b>KTEB-332LBF-UV-TP-PIC</b>	
Ballast Type	Electronic
Starting Method	Instant Start
Lamp Connection	Parallel
Input Voltage	120 ~ 277Vac ± 10%
Input Frequency	60Hz / 50Hz

**ELECTRICAL SPECIFICATIONS:**

Lamp Type	No. of Lamp	Volts	Input Watts	Input Current (Amps)	Power Factor	Crest Factor	Ballast Factor	Ballast Efficacy Factor	Max. THD %
F40T8	2	120	77	0.65	0.99	1.58	0.88	1.14	10
		277	77	0.28	0.98	1.57	0.88	1.14	10
FT40W/2G11	2	120	70	0.59	0.99	1.52	0.88	1.26	10
		277	70	0.26	0.98	1.52	0.88	1.26	10
F32T8	3	120	90	0.76	0.99	1.58	0.88	0.98	10
		277	90	0.33	0.99	1.58	0.88	0.98	10
	2	120	65	0.55	0.99	1.56	1.00	1.54	10
		277	65	0.24	0.99	1.55	1.00	1.54	10
F25T8	3	120	70	0.58	0.99	1.58	0.88	1.26	10
		277	70	0.26	0.98	1.58	0.88	1.26	10
	2	120	48	0.40	0.99	1.54	1.00	2.08	10
		277	48	0.18	0.97	1.54	1.00	2.08	10
F17T8	3	120	51	0.43	0.99	1.55	0.88	1.73	10
		277	51	0.19	0.97	1.55	0.88	1.73	10
	2	120	36	0.30	0.99	1.51	1.00	2.78	10
		277	36	0.14	0.95	1.51	1.00	2.78	10

**PERFORMANCE:**

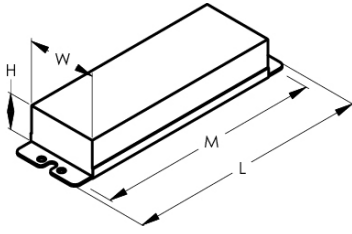
- Sound Rated: A
- Minimum Starting Temperature: 0°F, -18°C
- Maximum Case Temperature: 167°F, 75°C
- Meets FCC Part 18 (Class A) Non Consumer Limits
- Transient Protection meets ANSI/IEEE C62.41 Cat. A
- 5-Year Warranty

**APPROVALS:**

- UL, cUL 935 listed

**PHYSICAL DIMENSIONS:**

Length (L):	9.50"
Width (W):	1.78"
Height (H):	1.15"
Mounting (M):	8.90"
Lead Length:	
White, Black	25"
Blue	31"x 31"x 31"
Red	37"



**WIRING DIAGRAM:**

**Hot Spot Location:**

