



KTEB-259-UV-TP-PIC	
Ballast Type	Electronic
Starting Method	Instant Start
Lamp Connection	Parallel
Input Voltage	120-277Vac ± 10%
Input Frequency	60Hz / 50Hz

ELECTRICAL SPECIFICATIONS:

Lamp Type	No. of Lamp	Volts	Input Watts	Input Current (Amps)	Power Factor	Crest Factor	Ballast Factor	Ballast Efficacy Factor	Max. THD %
F96T8 59W	2	120	112	0.94	0.99	1.56	0.88	0.79	10
		277	112	0.41	0.99	1.55	0.88	0.79	10
F96T8 59W	1	120	70	0.58	0.99	1.44	0.88	1.26	10
		277	70	0.26	0.99	1.45	0.88	1.26	10

PERFORMANCE:

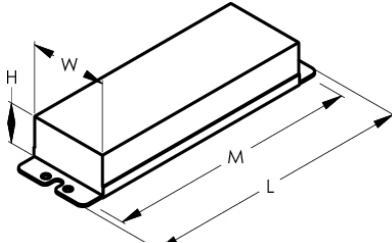
- Sound Rated: A
- Minimum Starting Temperature: 0°F, -18°C
- Maximum Case Temperature: 167°F, 75°C
- Transient Protection meets ANSI/IEEE C62.41 Cat. A

APPROVALS:

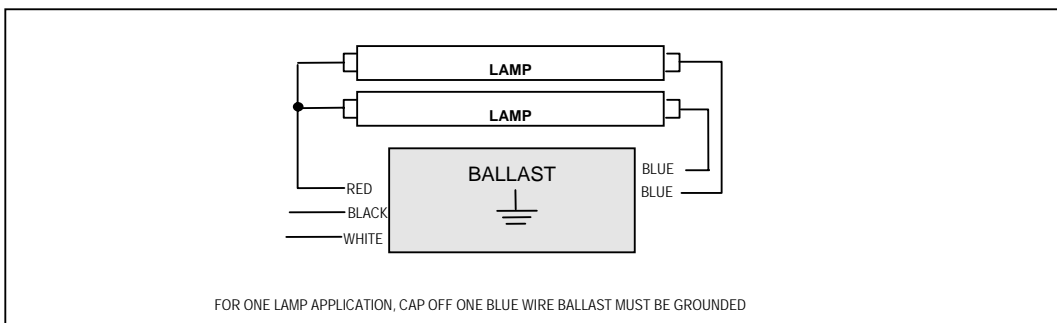
- UL, cUL 935 listed

PHYSICAL DIMENSIONS:

Length (L):	9.45"
Width (W):	1.80"
Height (H):	1.37"
Mounting(M):	8.90"
Lead Length:	
White, Black	22"
Blue	46"
Red	70"



WIRING DIAGRAM:



KEYSTONE TECHNOLOGIES LLC.
P.O. Box 246, AMBLER, PENNSYLVANIA 19002
PHONE: 215-283-2600
FAX: 215-628-4412
INFO@KEYSTONEBALLAST.COM
WWW.KEYSTONEBALLAST.COM