



<b>CC579TP</b>	
Ballast Type	Magnetic
Starting Method	Preheat Start
Lamp Connection	
Input Voltage	120Vac +5% -10%
Input Frequency	60Hz

**ELECTRICAL SPECIFICATIONS:**

Lamp Type	No. of Lamp	Input Watts	Input Current (Amps)	Power Factor	Crest Factor	Ballast Factor	Ballast Efficacy Factor	Max. THD %
F8T5	1	9.0	0.14	0.55	1.61	0.82	9.11	15
CFT7W/G23	1	9.0	0.15	0.52	1.57	0.87	9.67	15
CFT9W/G23	1	9.0	0.15	0.54	1.58	0.75	8.33	15

**PERFORMANCE:**

- Sound Rated: A
- Minimum Starting Temperature: 50°F, 10°C
- Maximum Ballast Case Temperature: 194°F, 90°C

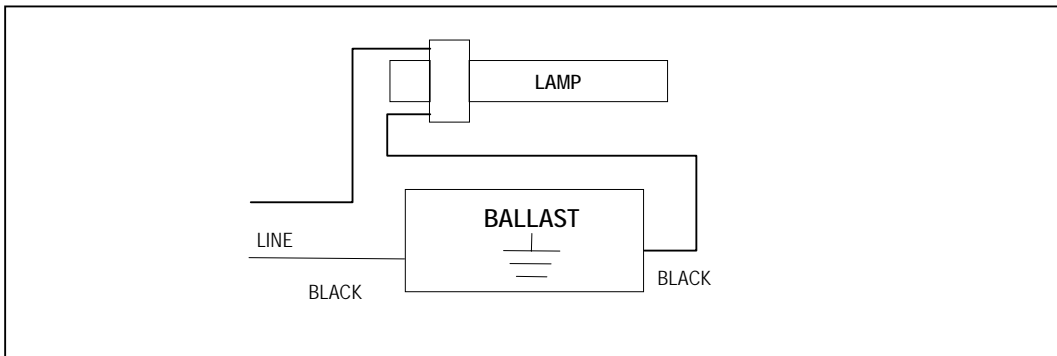
**APPROVALS:**

- UL & cUL 935 Listed (Class P, Outdoor, Type 1)
- Thermally Protected

**PHYSICAL DIMENSIONS:**

Length (L):	2.75"	
Width (W):	1.50"	
Height (H):	1.20"	
Mounting (M)	2.25"	
Lead Length:		
Black	12" X 12"	

**WIRING DIAGRAM:**



**KEYSTONE TECHNOLOGIES LLC.**  
**P.O. Box 246, AMBLER, PENNSYLVANIA 19002**  
**PHONE: 215-283-2600**  
**FAX: 215-628-4412**  
**INFO@KEYSTONEBALLAST.COM**  
**WWW.KEYSTONEBALLAST.COM**