



KTET-75-1-SCP-EMI	
Transformer Type	Electronic
Lamp Connection	Parallel
Input Voltage	120Vac ± 10%
Input Frequency	60Hz / 50Hz

ELECTRICAL SPECIFICATIONS:

Lamp Type	Input Watts	Input Current (Amps)	Power Factor	Output Voltage
12V Halogen Lamps	74	0.64	0.96	11.0

PERFORMANCE:

- Sound Rated: A
- Minimum Starting Temperature: 0° F, -18° C
- Maximum Case Temperature: 167° F, 75° C
- Transient Protection meets ANSI/IEEE C62.41 Cat. A
- With Short Circuit Protection
- Meets FCC Part 18 (Class B) Consumer Limits
- Non-Dimmable

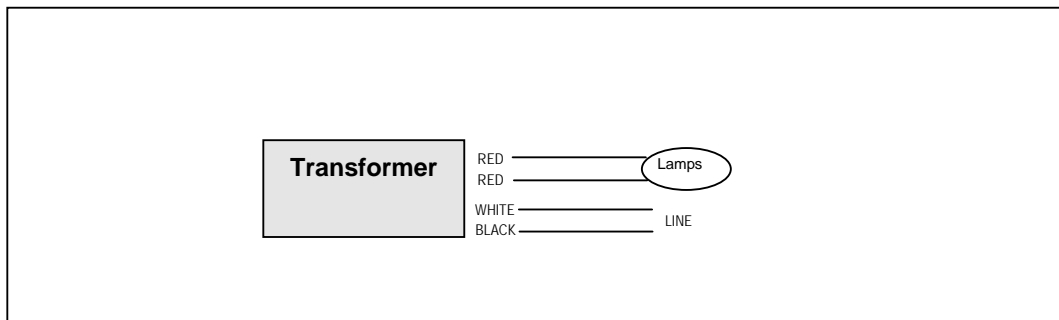
APPROVALS:

- RU, cRU

PHYSICAL DIMENSIONS:

Length (L):	2.68"	
Width (W):	1.30"	
Height (H):	0.79"	
Lead Length:		
White, Black	8"	
Red	6"	

WIRING DIAGRAM:



KEYSTONE TECHNOLOGIES LLC.
P.O. Box 246, AMBLER, PENNSYLVANIA 19002
PHONE: 215-283-2600
FAX: 215-628-4412
INFO@KEYSTONEBALLAST.COM
WWW.KEYSTONEBALLAST.COM