



296TPH277	
Ballast Type	Magnetic
Starting Method	Instant Start
Lamp Connection	Series
Input Voltage	277Vac +5% -10%
Input Frequency	60Hz

ELECTRICAL SPECIFICATIONS:

Lamp Type	No. of Lamp	Input Watts	Input Current (Amps)	Power Factor	Crest Factor	Ballast Factor	Ballast Efficacy Factor	Max. THD %
F96T12 (75W)	2	131	0.53	0.90	<1.7	0.74	0.56	25
F96T12/ES (60W)	2	131	0.53	0.90	<1.7	0.74	0.56	25
F72T12 (55W)	2	133	0.51	0.95	<1.7	0.90	0.68	25

PERFORMANCE:

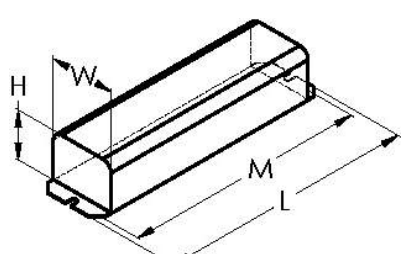
- Sound Rated: C
- Minimum Starting Temperature: 50°F (800mA Lamps)
- Minimum Starting Temperature: 60°F (840mA Lamps)
- Maximum Ballast Case Temperature: 194°F, 90°C

APPROVALS:

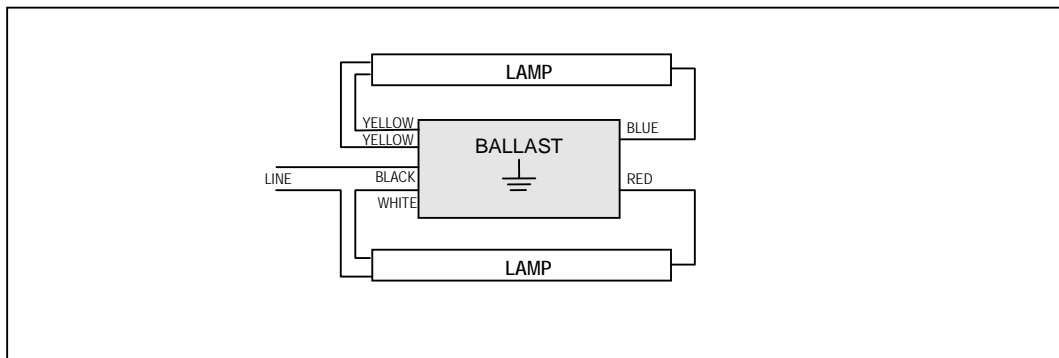
- UL & cUL 935 Listed (Class P, Outdoor, Type 1)
- Thermally Protected

PHYSICAL DIMENSIONS:

Length (L):	11.0"
Width (W):	11.7"
Height (H):	2.5"
Mounting (M):	3.15"
Lead Length:	
Black	68"
White	68"
Red	44"
Blue	44"



WIRING DIAGRAM:



KEYSTONE TECHNOLOGIES LLC.
P.O. Box 246, AMBLER, PENNSYLVANIA 19002
PHONE: 215-283-2600
FAX: 215-628-4412
INFO@KEYSTONEBALLAST.COM
WWW.KEYSTONEBALLAST.COM