



296HOTPH277	
Ballast Type	Magnetic
Starting Method	Rapid Start
Lamp Connection	Series
Input Voltage	277Vac +5% -10%
Input Frequency	60Hz

ELECTRICAL SPECIFICATIONS:

Lamp Type	No. of Lamp	Input Watts	Input Current (Amps)	Power Factor	Crest Factor	Ballast Factor	Ballast Efficacy Factor	Max. THD %
F96T12/HO	2	254	0.94	>0.95	<1.7	0.95	0.37	10
F96T12/HO/ES	2	210	0.78	>0.95	<1.7	0.90	0.43	15
F72T12/HO	2	202	0.76	>0.95	<1.7	0.94	0.47	25

PERFORMANCE:

- Sound Rated: C
- Minimum Starting Temperature: -20°F (HO Lamps)
- Minimum Starting Temperature: 60°F (HO/ES Lamps)
- Maximum Ballast Case Temperature: 194°F, 90°C

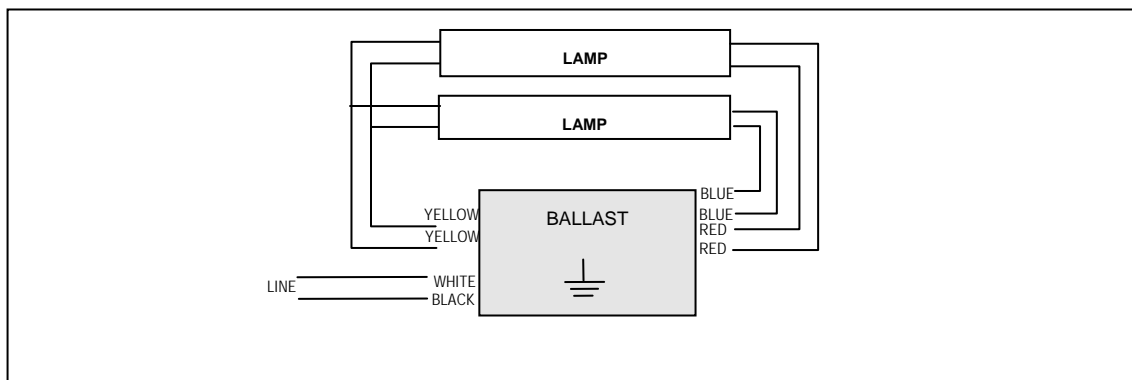
APPROVALS:

- UL & cUL 935 Listed (Class P, Outdoor, Type 1)
- Thermally Protected

PHYSICAL DIMENSIONS:

Length (L):	11.0"	
Width (W):	11.7"	
Height (H):	2.5"	
Mounting (M):	3.15"	
Lead Length:		
Black, White	22"	
Red, Blue	48"	
Yellow	72"	

WIRING DIAGRAM:



KEYSTONE TECHNOLOGIES LLC.
P.O. Box 246, AMBLER, PENNSYLVANIA 19002
PHONE: 215-283-2600
FAX: 215-628-4412
INFO@KEYSTONEBALLAST.COM
WWW.KEYSTONEBALLAST.COM