



<b>140TPH277</b>	
Ballast Type	Magnetic
Starting Method	Rapid Start
Lamp Connection	--
Input Voltage	277Vac +5% -10%
Input Frequency	60Hz

**ELECTRICAL SPECIFICATIONS:**

Lamp Type	No. of Lamp	Input Watts	Input Current (Amps)	Power Factor	Crest Factor	Ballast Factor	Ballast Efficacy Factor	Max. THD %
F40T12 (40W)	1	52	0.19	0.98	<1.7	0.93	1.79	15
F40T12/ES (34W)	1	44	0.16	0.98	<1.7	0.88	2.00	15

**PERFORMANCE:**

- Sound Rated: A
- Minimum Starting Temperature: 50°F, 10°C
- Minimum Starting Temperature: 60°F, 10°C for ES Lamp
- Maximum Ballast Case Temperature: 194°F, 90°C
- 3-Year Warranty

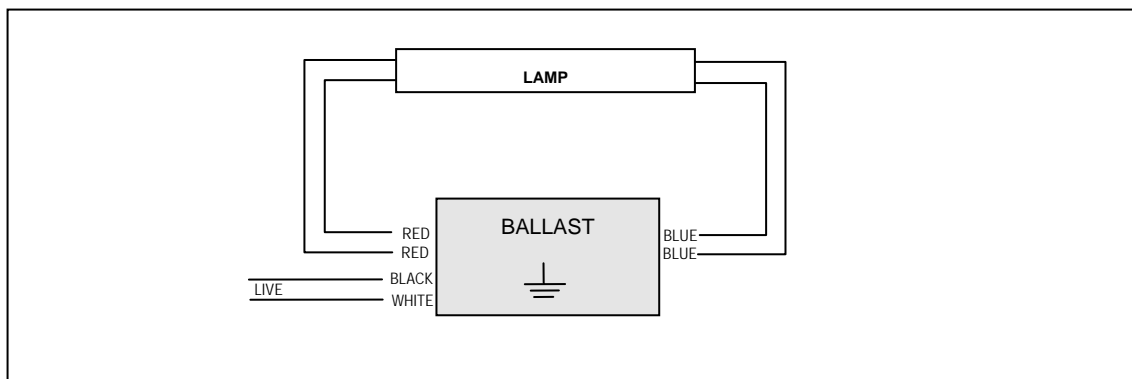
**APPROVALS:**

- UL & cUL 935 Listed (Class P, Outdoor, Type 1)
- Thermally Protected

**PHYSICAL DIMENSIONS:**

Length (L):	9.49"	
Width (W):	2.40"	
Height (H):	1.61"	
Mounting (M)	9.00"	
Lead Length:		
Black	22"	
White	22"	
Blue	26"x26"	
Red	34"x34"	

**WIRING DIAGRAM:**



**KEYSTONE TECHNOLOGIES LLC.**  
P.O. Box 246, AMBLER, PENNSYLVANIA 19002  
PHONE: 215-283-2600  
FAX: 215-628-4412  
INFO@KEYSTONEBALLAST.COM  
WWW.KEYSTONEBALLAST.COM