



140TP	
Ballast Type	Magnetic
Starting Method	Rapid Start
Lamp Connection	
Input Voltage	120Vac +5% -10%
Input Frequency	60Hz

ELECTRICAL SPECIFICATIONS:

Lamp Type	No. of Lamp	Input Watts	Input Current (Amps)	Power Factor	Crest Factor	Ballast Factor	Ballast Efficacy Factor	Max. THD %
F30T12 30W	1	33	0.61	0.45	< 1.7	0.95	2.88	10
F40T12 25W	1	30	0.55	0.45	< 1.7	0.70	2.33	10
F40T12 34W	1	33	0.61	0.45	< 1.7	0.70	2.12	10
F40T12 40W	1	36	0.56	0.54	< 1.7	0.64	1.78	10

PERFORMANCE:

- Sound Rated: A
- Minimum Starting Temperature: 50°F, 10°C; 60°F, 15°C for F40T12 34W lamp.
- Maximum Ballast Case Temperature: 194°F, 90°C

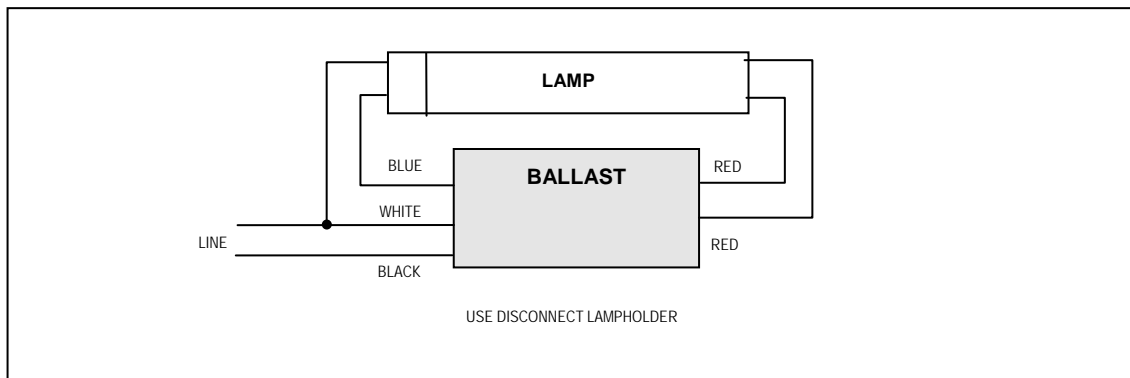
APPROVALS:

- UL & cUL 935 Listed (Class P, Outdoor, Type 1)
- Thermally Protected

PHYSICAL DIMENSIONS:

Length (L):	6.46"	
Width (W):	1.89"	
Height (H):	1.42"	
Mounting (M)	6.00"	
Lead Length:		
White	30"	
Black	14"	
Blue	19"	
Red	32"	
Yellow		

WIRING DIAGRAM:



KEYSTONE TECHNOLOGIES LLC.
P.O. Box 246, AMBLER, PENNSYLVANIA 19002
PHONE: 215-283-2600
FAX: 215-628-4412
INFO@KEYSTONEBALLAST.COM
WWW.KEYSTONEBALLAST.COM