



<b>120TP</b>	
Ballast Type	Magnetic
Starting Method	Trigger Start
Lamp Connection	
Input Voltage	120Vac +5% -10%
Input Frequency	60Hz

**ELECTRICAL SPECIFICATIONS:**

Lamp Type	No. of Lamp	Input Watts	Input Current (Amps)	Power Factor	Crest Factor	Ballast Factor	Ballast Efficacy Factor	Max. THD %
F14T12	1	28	0.63	0.38	< 1.7	0.93	3.32	10
F15T8	1	30	0.60	0.42	< 1.7	1.02	3.40	10
F15T12	1	30	0.60	0.42	< 1.7	1.02	3.40	10
F20T12	1	30	0.57	0.44	< 1.7	0.85	2.83	10

**PERFORMANCE:**

- Sound Rated: A
- Minimum Starting Temperature: 50°F, 10°C
- Maximum Ballast Case Temperature: 194°F, 90°C

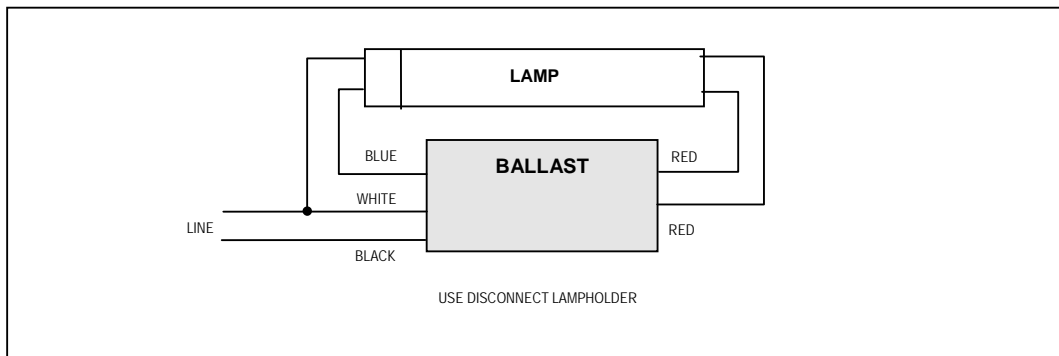
**APPROVALS:**

- UL & cUL 935 Listed (Class P, Outdoor, Type 1)
- Thermally Protected

**PHYSICAL DIMENSIONS:**

Length (L):	6.46"
Width (W):	1.89"
Height (H):	1.42"
Mounting (M):	6.00"
Lead Length:	
White	19"
Black	12"
Blue	20"
Red	16"
Yellow	

**WIRING DIAGRAM:**



**KEYSTONE TECHNOLOGIES LLC.**  
**P.O. Box 246, AMBLER, PENNSYLVANIA 19002**  
**PHONE: 215-283-2600**  
**FAX: 215-628-4412**  
**INFO@KEYSTONEBALLAST.COM**  
**WWW.KEYSTONEBALLAST.COM**