

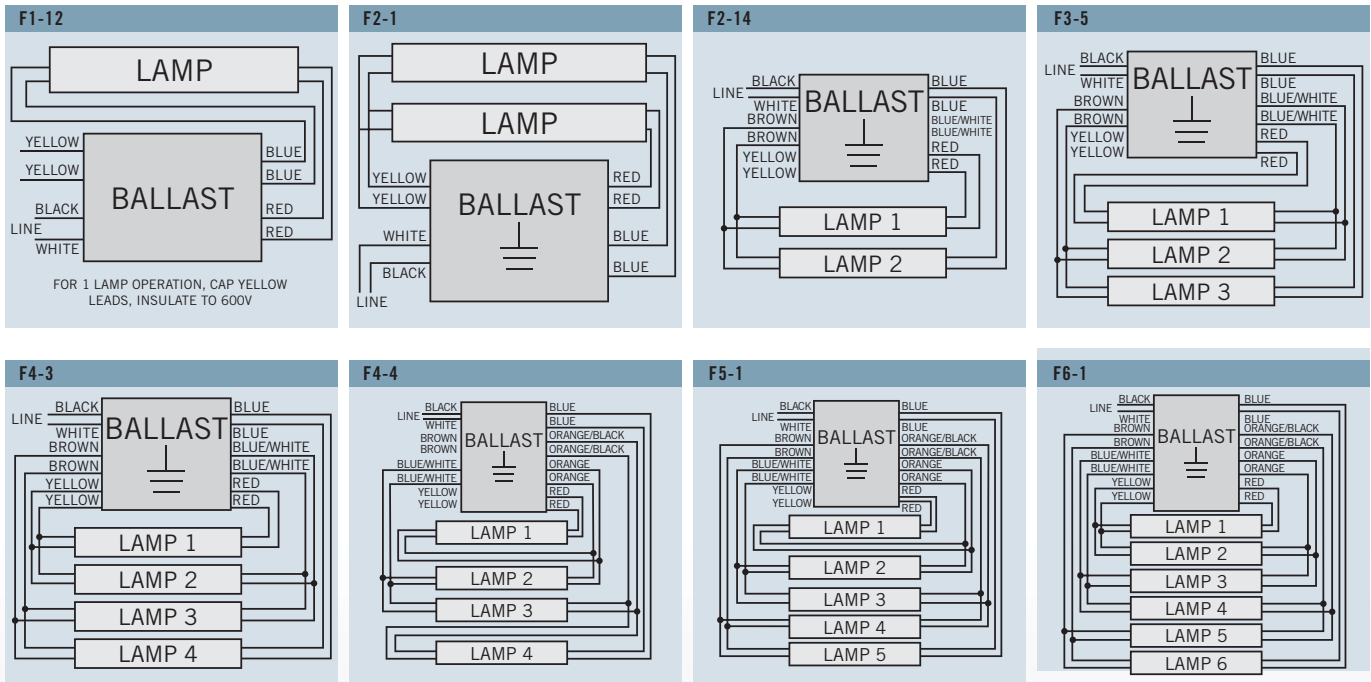
# SIGN BALLASTS

## Magnetic Sign Ballasts

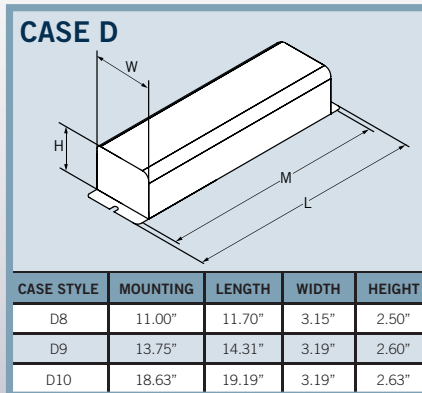


NO. OF LAMPS	LAMP FOOTAGE		INPUT VOLTS	CATALOG NUMBER	CYCLES (Hz)	MAX INPUT POWER (WATTS)	MAX INPUT CURRENT (AMPS)	OPEN CIRCUIT VOLTAGE	MIN. START TEMP (°F)	WIRING DIAGRAM	CASE STYLE	WARRANTY	APPROVALS
	MIN	MAX											
1-2	4	12	120	KTSB-0412-12-1-TP	60	175	1.48	480	-20	F1-12, F2-1	D8	3	UL LISTED
2-4	6	20	120	KTSB-0620-24-1-TP	60	304	2.56	600	-20	F2-14, F3-5, F4-3	D8	3	UL LISTED
	12	24	120	KTSB-1224-24-1-TP	60	312	2.70	785	-20	F2-14, F3-5, F4-3	D9	3	UL LISTED
	20	40	120	KTSB-2040-24-1-TP	60	472	4.00	720	-20	F2-14, F3-5, F4-3	D10	3	UL LISTED
4-6	12	40	120	KTSB-1240-46-1-TP	60	462	3.90	720	-20	F4-4, F5-1, F6-1	D10	3	UL LISTED
	24	48	120	KTSB-2448-46-1-TP	60	530	4.50	720	-20	F4-4, F5-1, F6-1	D10	3	UL LISTED

### WIRING DIAGRAMS



### CASE STYLES



Specifications subject to change without notice. For complete product specifications, visit [www.keystoneballast.com](http://www.keystoneballast.com)

SIGN BALLASTS  
Magnetic